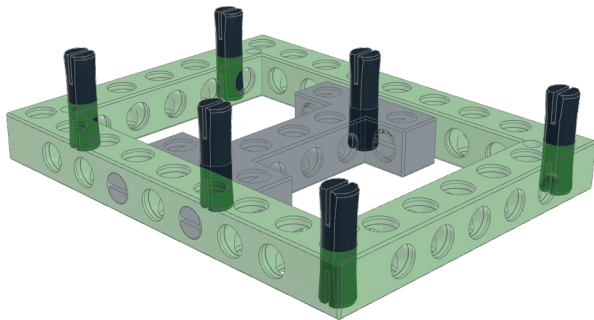
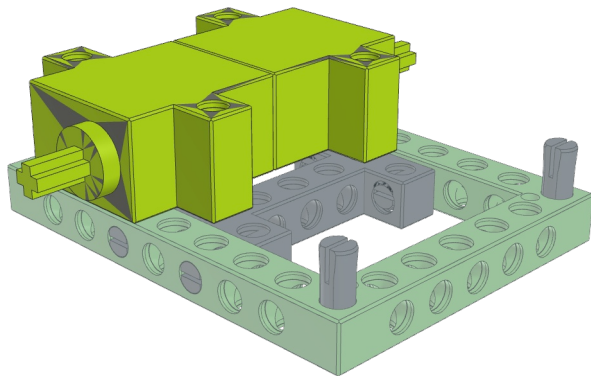
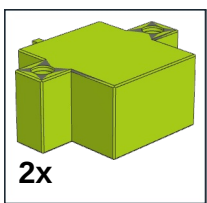
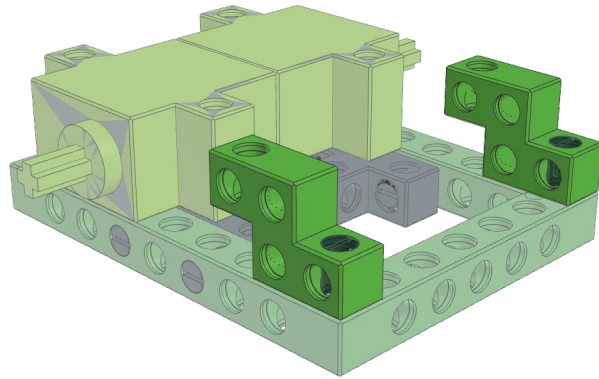
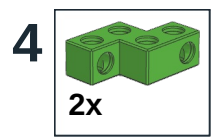


2
6x

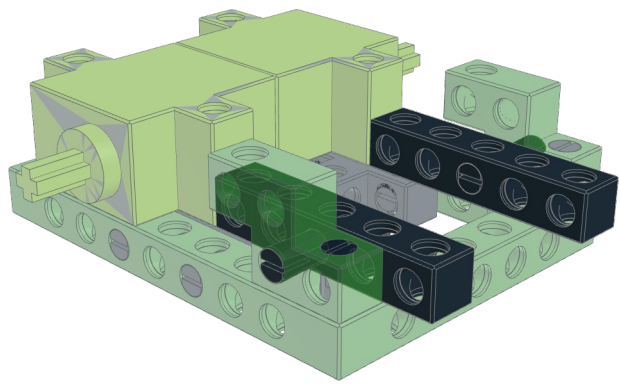
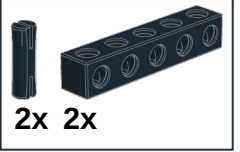


3






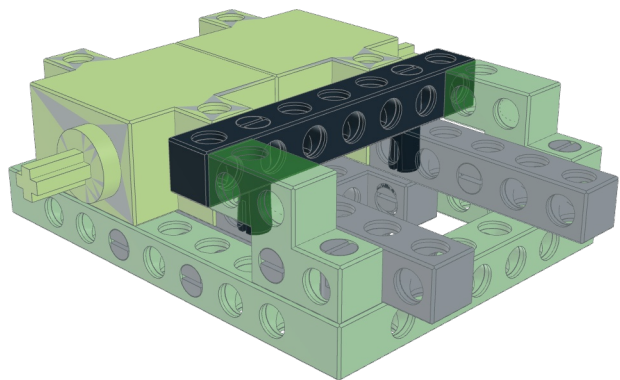
5



6



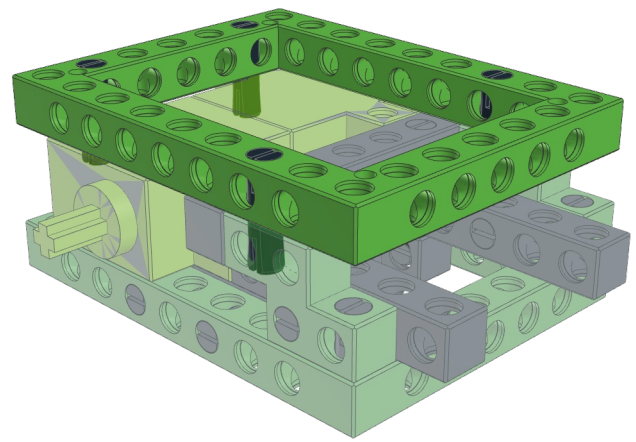
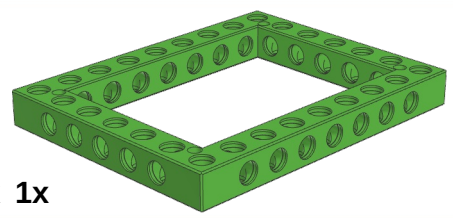
2x 1x



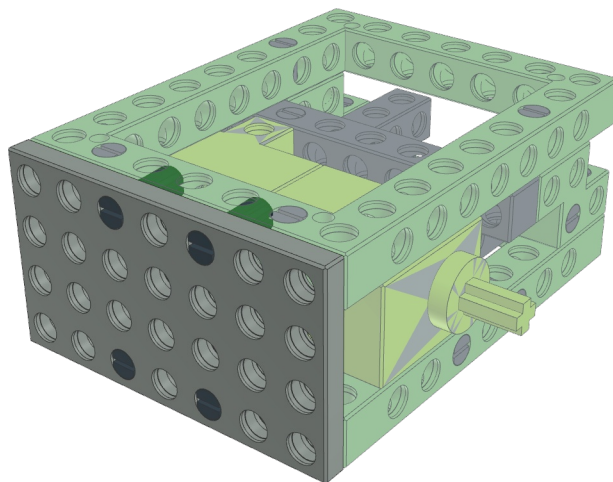
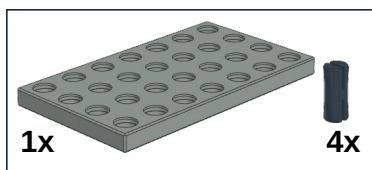
7



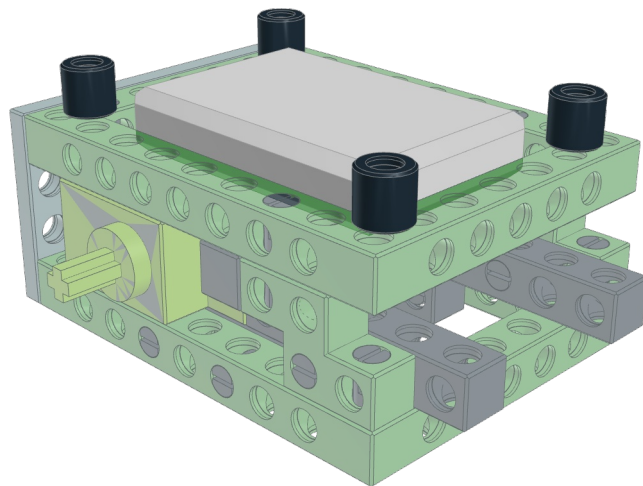
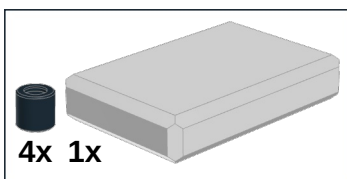
4x 1x



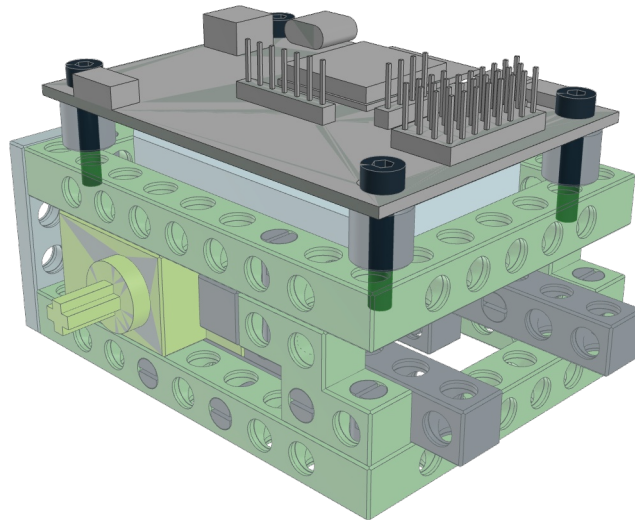
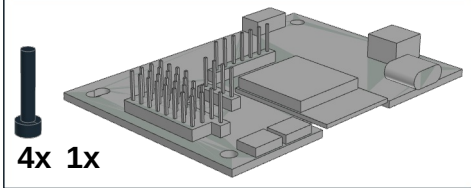
8



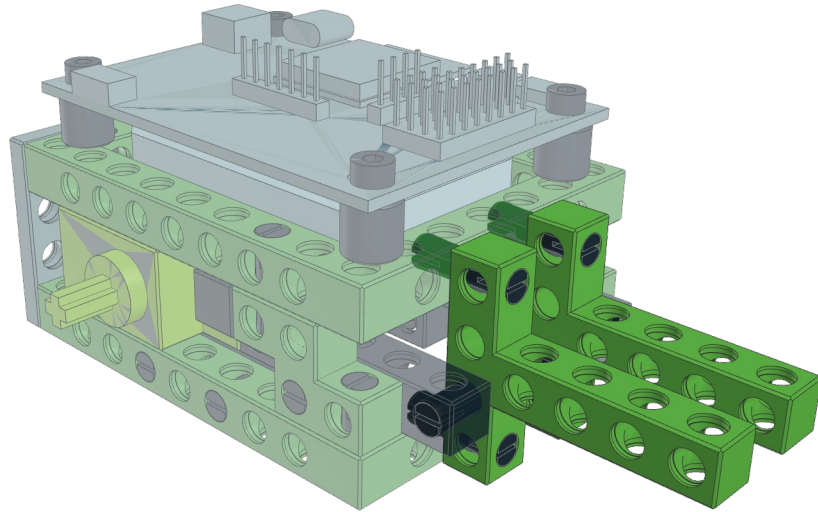
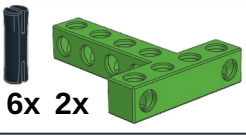
9



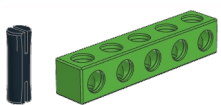
10



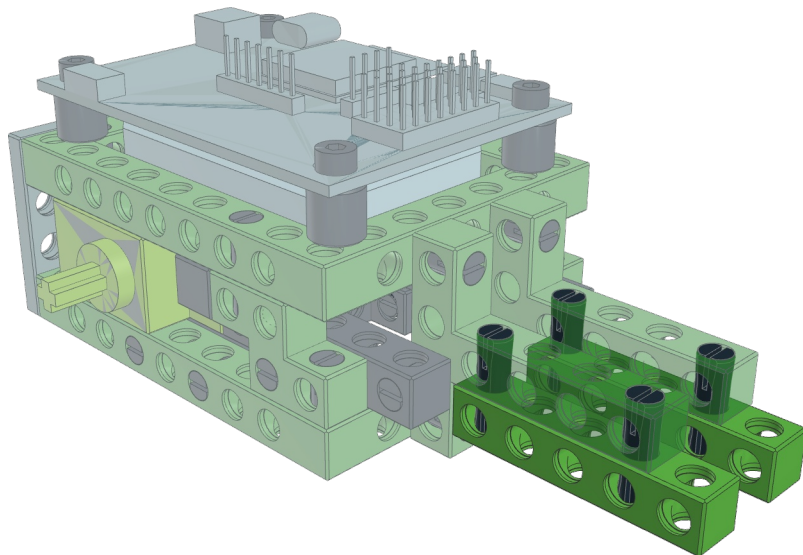
11



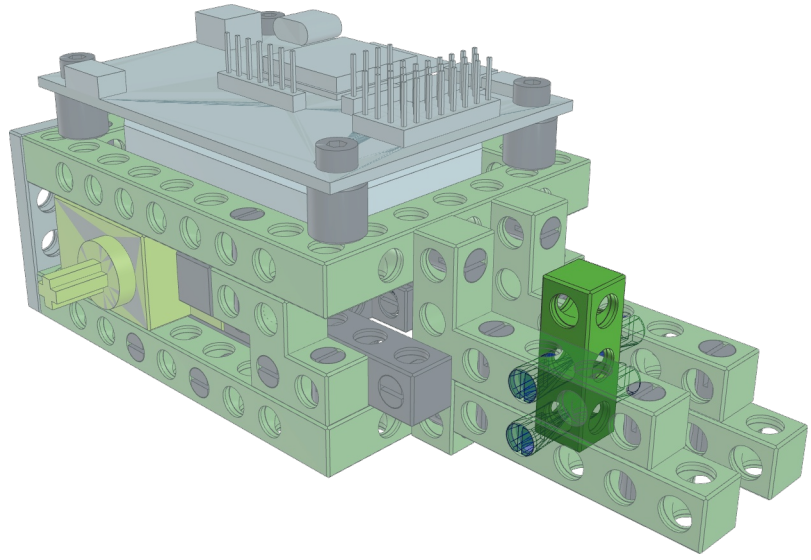
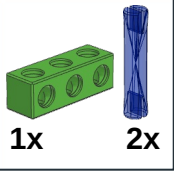
12



4x 2x



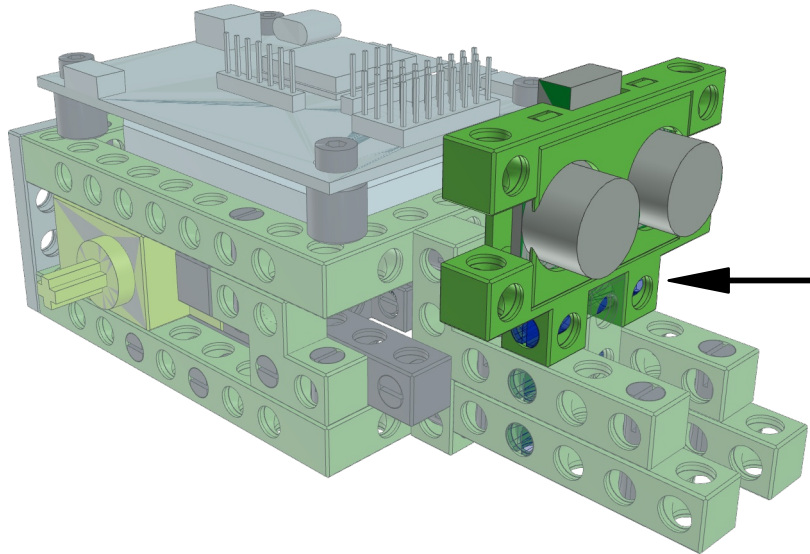
13



14



1x



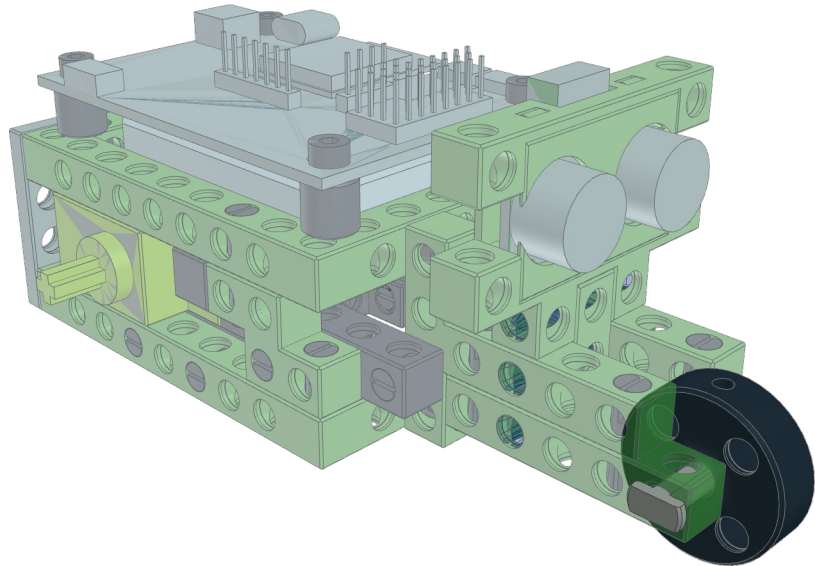
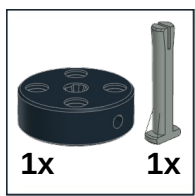
1

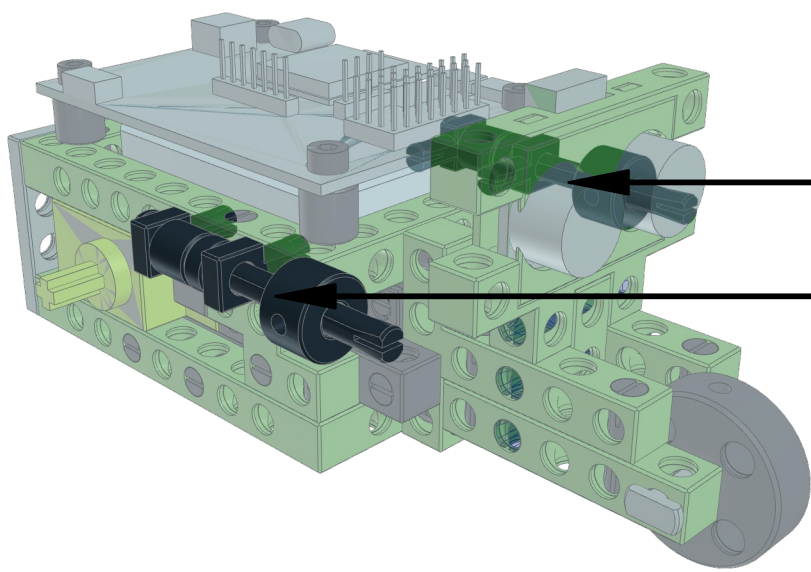
1x 1x


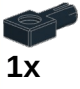





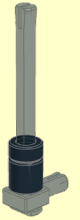
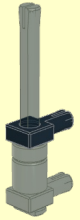
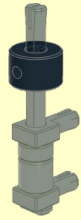
2

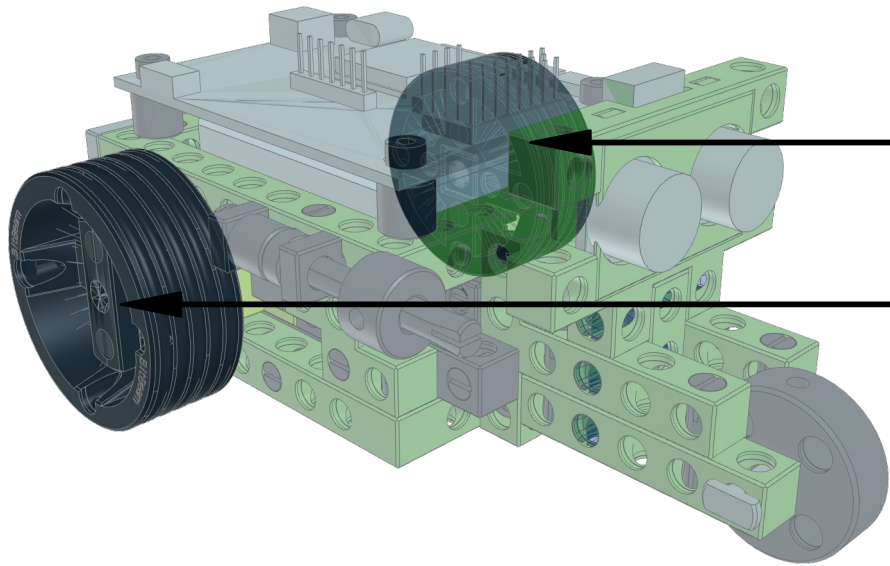
1x


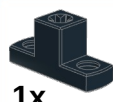
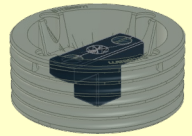


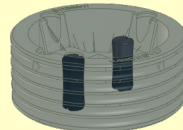

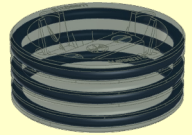
15





<p>1</p>  <p>1x</p>  <p>1x</p>	<p>2</p>  <p>1x</p>  <p>1x</p>	<p>3</p>  <p>1x</p>	<p>4</p>  <p>1x</p>
			 <p>x2</p>



<p>1</p>  <p>1x</p>	<p>3</p>  <p>1x</p> 
 <p>2</p>  <p>2x</p> 	<p>4</p>  <p>3x</p> 

x2

